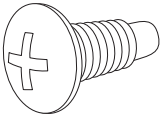


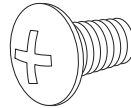
Hardware



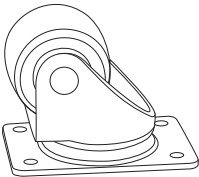
Part# S616
M6x16
x16



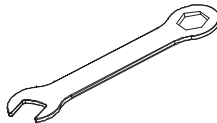
Part# N6
M6
x16



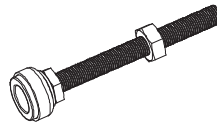
Part#v S58
M5x8
x44



Part# CS4
Caster
x4

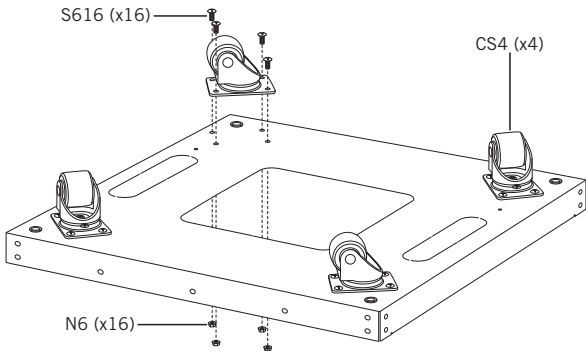


Wrench
x1

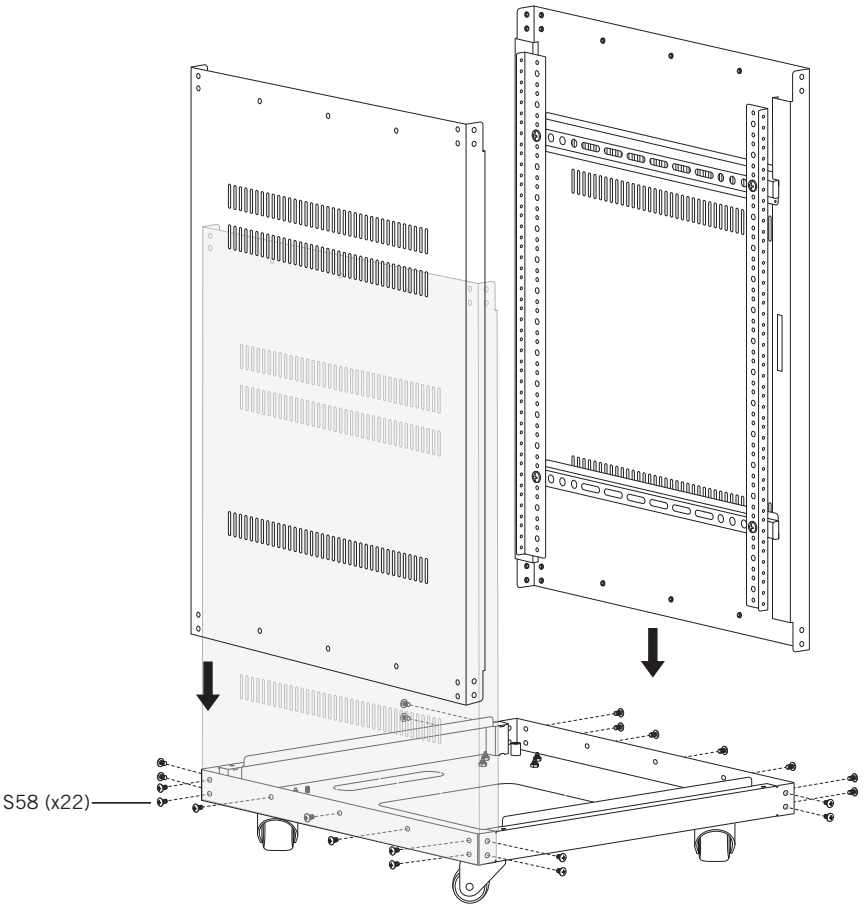


Shackle
x4

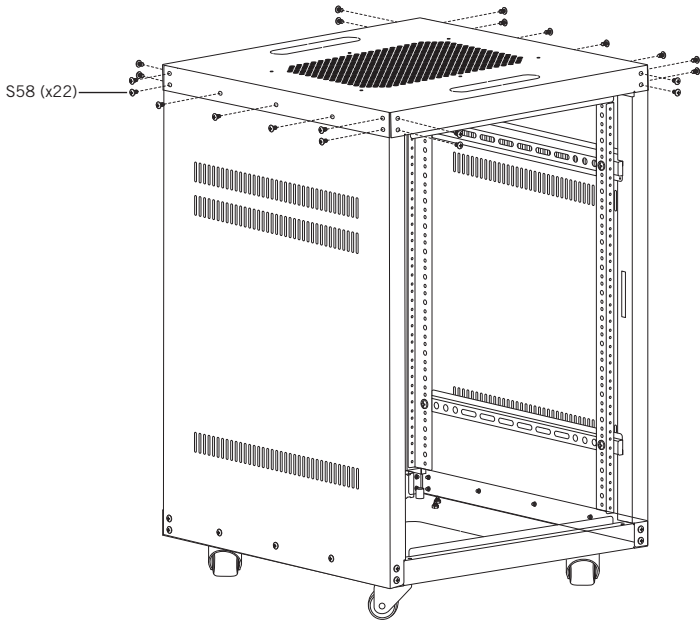
Step 1



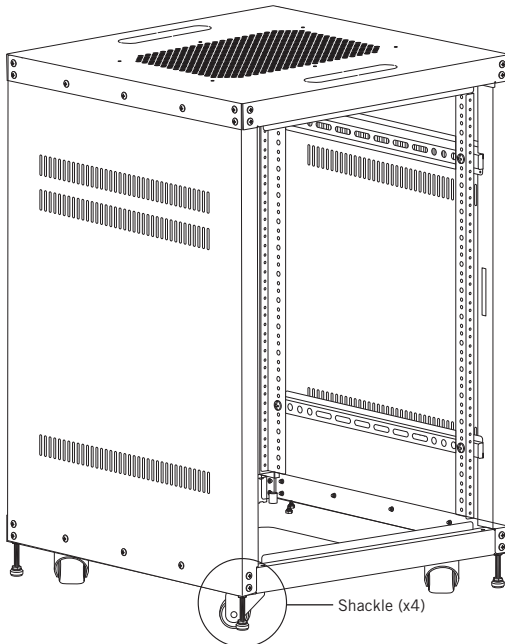
Step 2



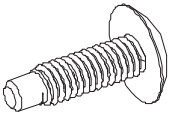
Step 3



Step 4 - For permanent Installation (Optional)



Rack Screws



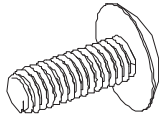
10-32

8U x32

12U x48

16U x64

21U x84



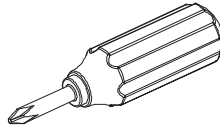
M16x16

8U x32

12U x48

16U x64

21U x84



Screwdriver

x1

